

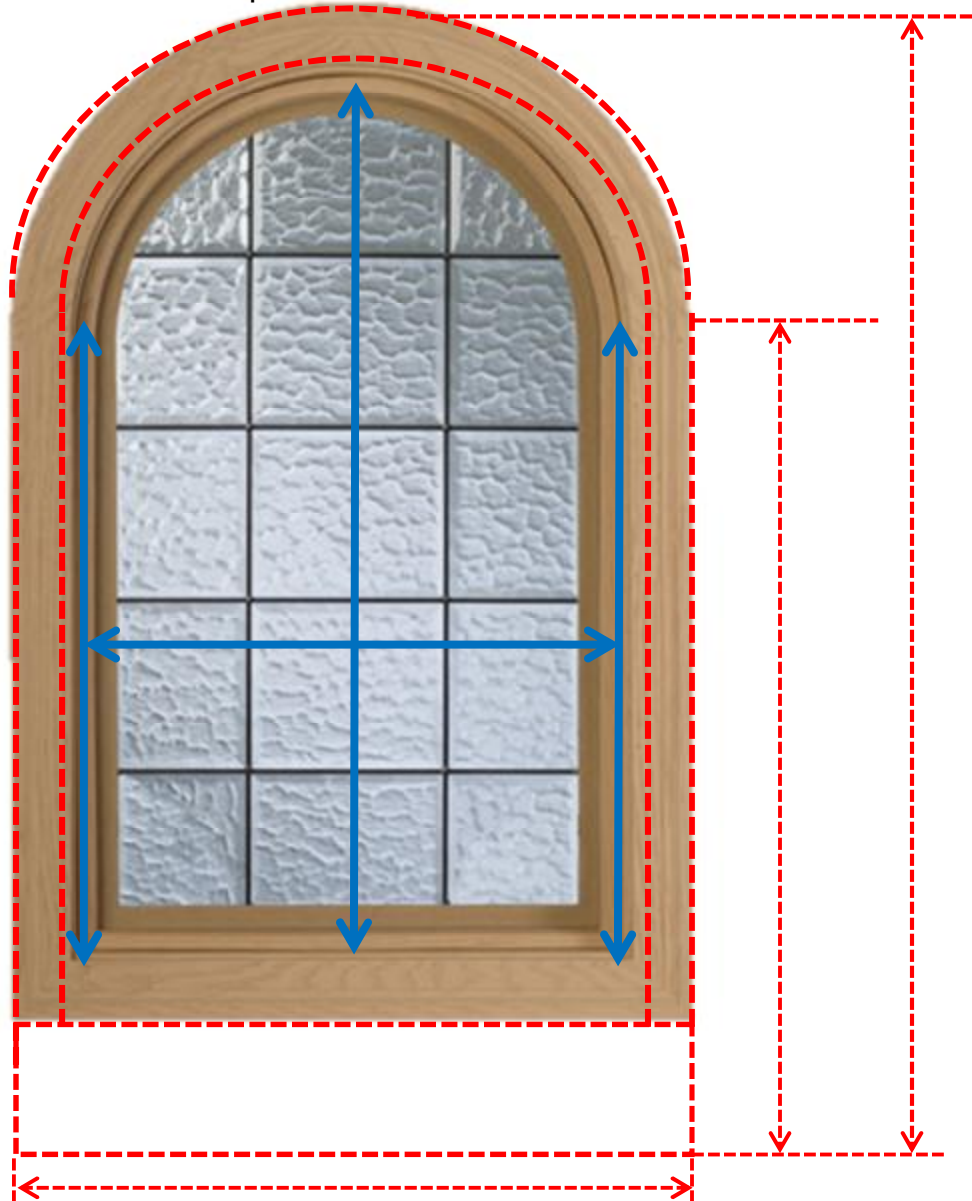


Studio Star Measuring Instructions

Type G: Refer to standard Shutter Measuring Instruction

Type R:

- Choose measuring style : Opening / Finished
 - Opening size is preferred for ease of customer
- If choose **opening**, measure where the blue arrows are pointed only, or just the window shape no trim.
- If choose **finished**, measure where the red lines are, which in most cases is trim size. When doing finished, a box size must be chosen with this option. Also a 2" drop below window should be left for baseslat exposure.



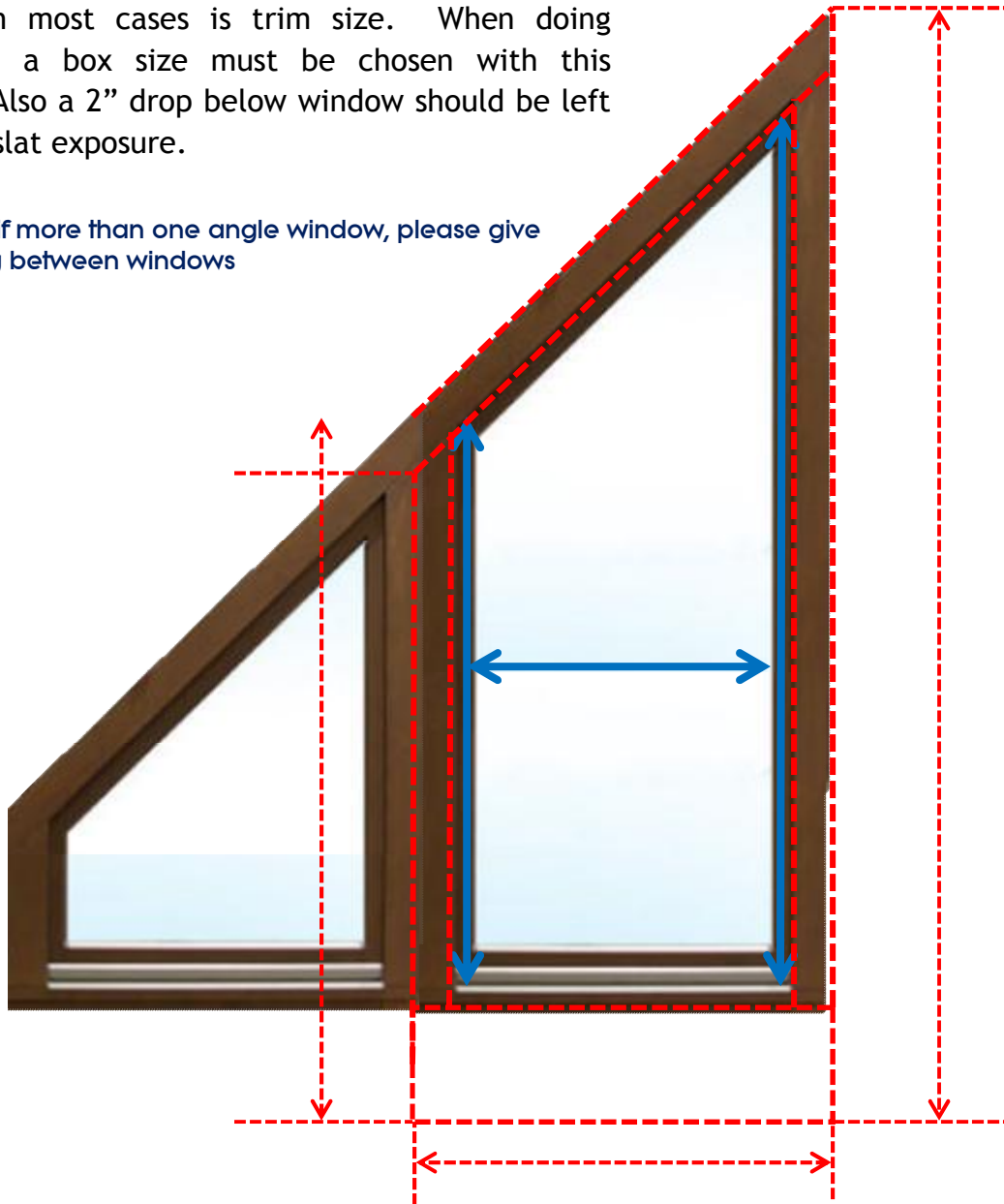


Studio Star Measuring Instructions

Type S or SI:

- Choose measuring style : Opening / Finished
 - Opening size is preferred for ease of customer
- If choose opening, measure where the **blue** arrows are pointed only, or just the window shape no trim.
- If choose finished, measure where the **red** lines are, which in most cases is trim size. When doing finished, a box size must be chosen with this option. Also a 2” drop below window should be left for baseslat exposure.

NOTE: if more than one angle window, please give Spacing between windows

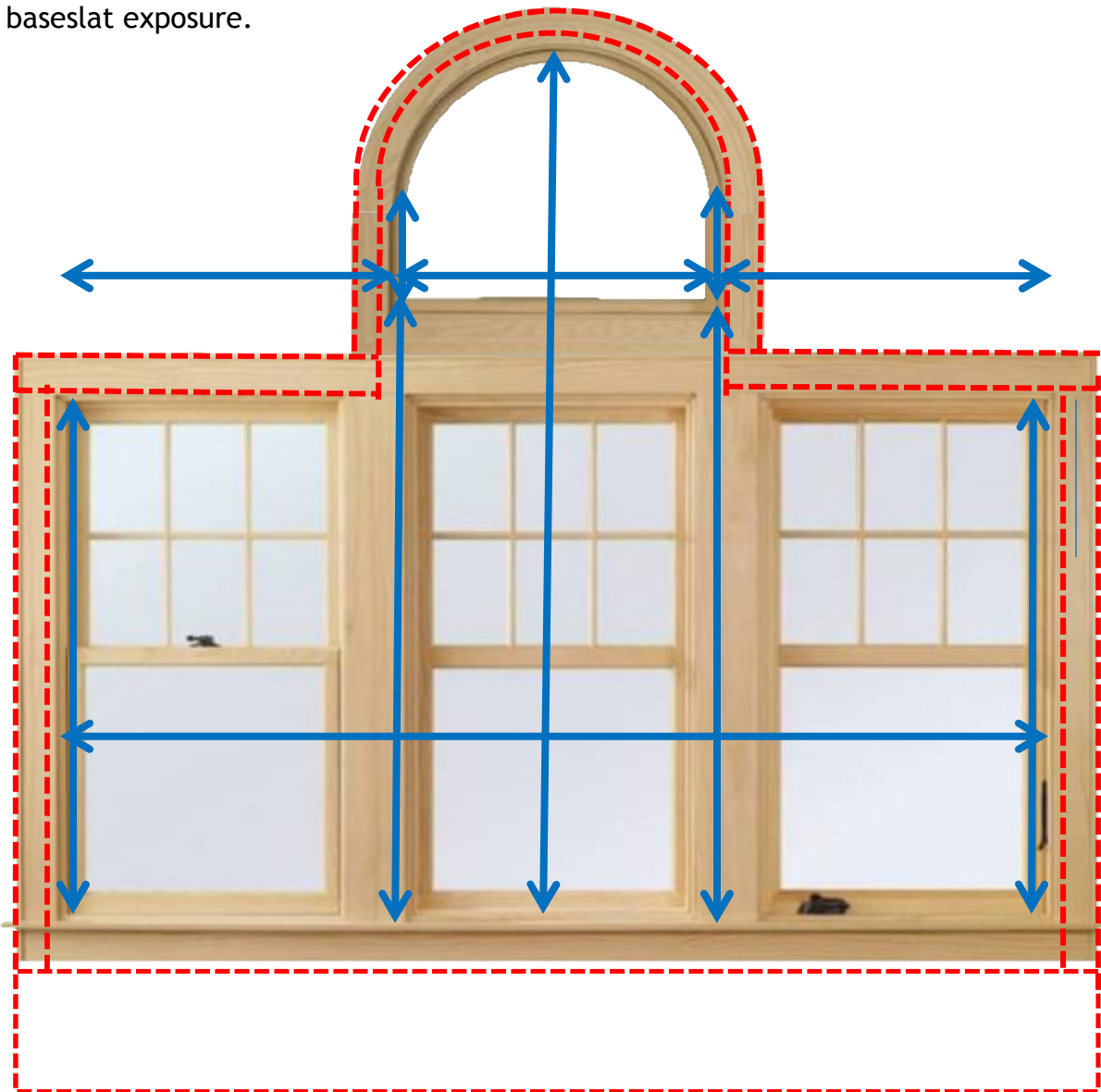




Studio Star Measuring Instructions

Type GR:

- Choose measuring style : Opening / Finished
 - Opening size is preferred for ease of customer
- If choose **opening**, measure where the **blue** arrows are pointed only, or just the window shape no trim.
- If choose **finished**, measure where the **red** lines are, which in most cases is trim size. When doing finished, a box size must be chosen with this option. Also a 2" drop below window should be left for baseslat exposure.

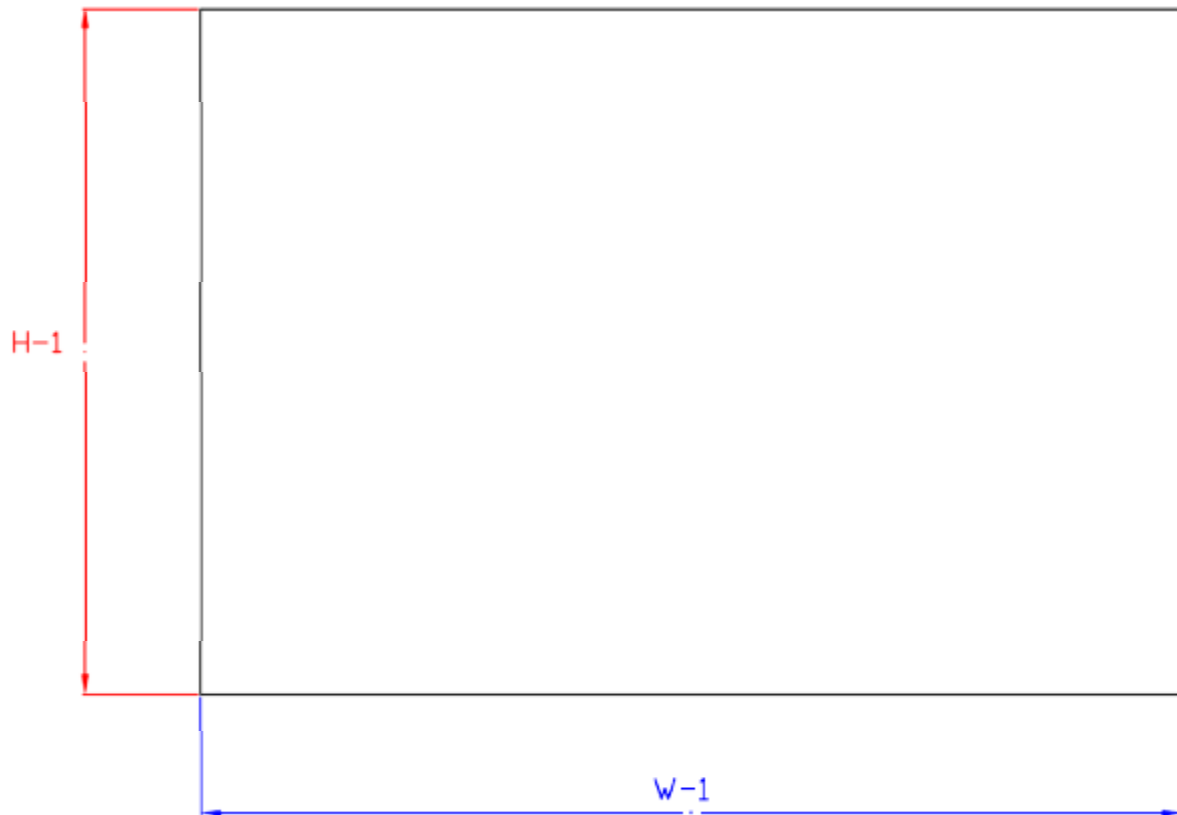




Studio Star Measuring Instructions

Measuring Diagram
for Type-G Shutters

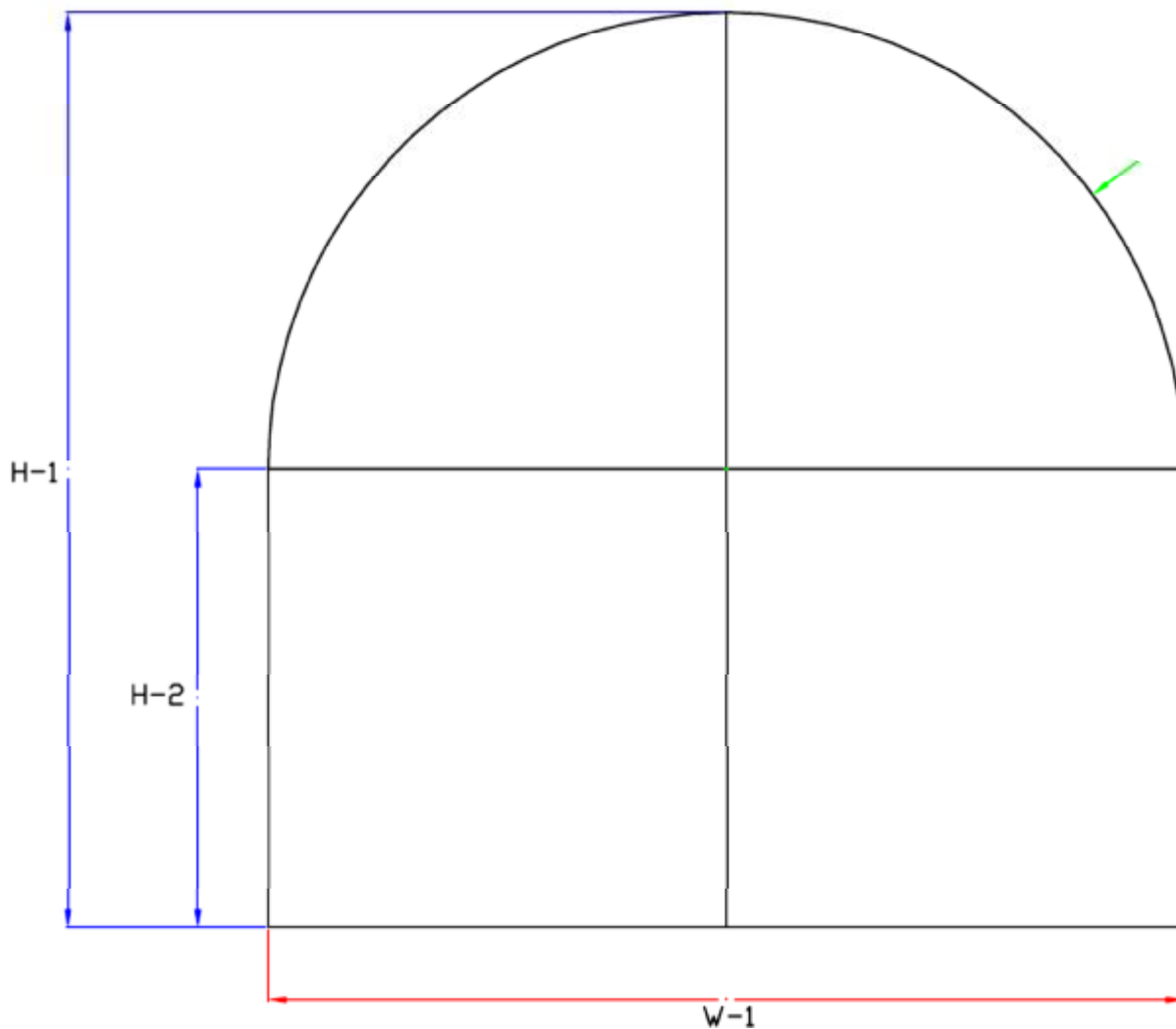
Choose: Finished Opening





Studio Star Measuring Instructions

Measuring Diagram
for Type-R Shutters
1/2 Circle
Choose: Finished Opening

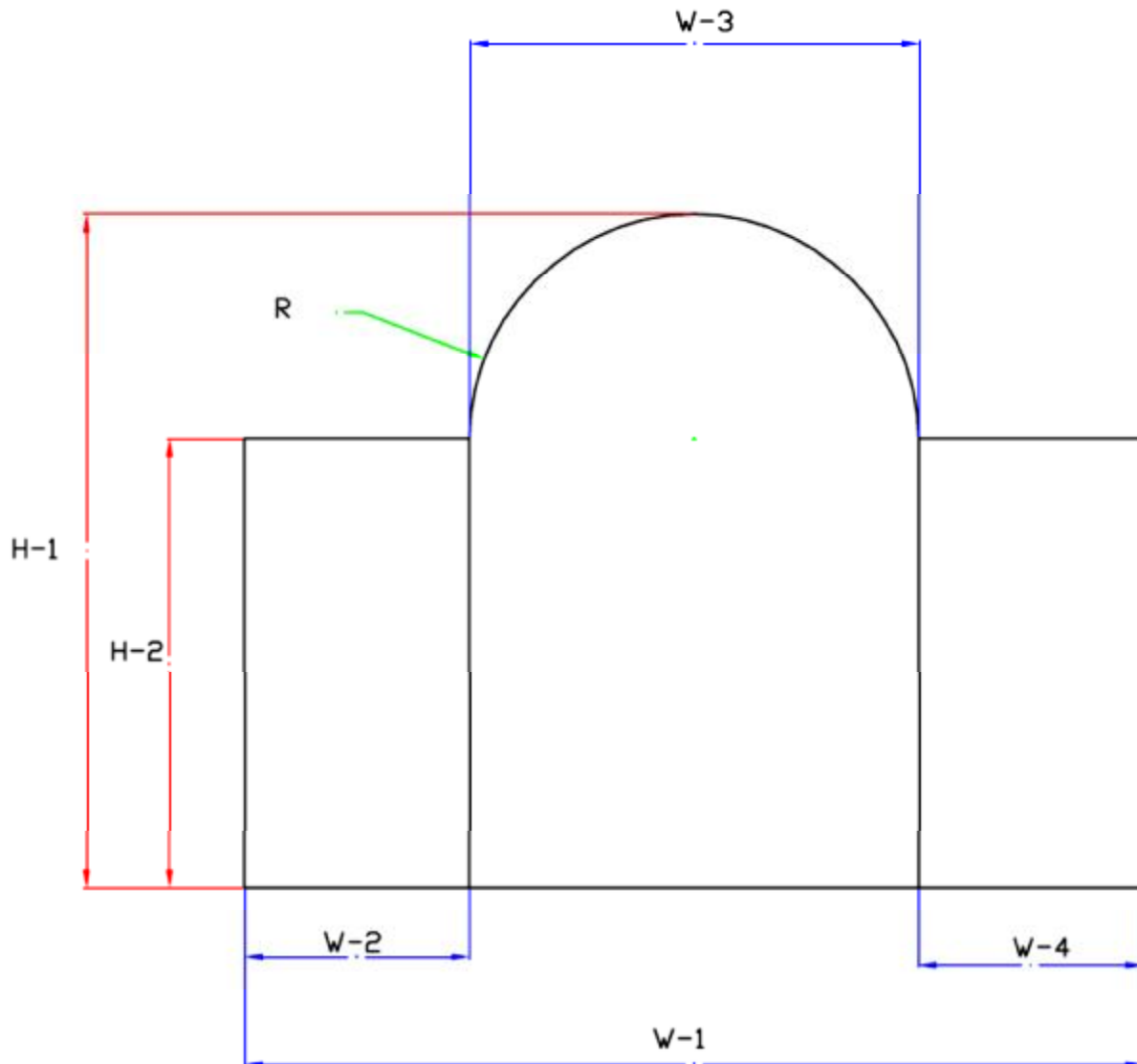




Studio Star Measuring Instructions

Measuring Diagram for Type-RG Shutters

Choose: Finished Opening





Studio Star Measuring Instructions

Measuring Diagram
for Type-SI Shutters

Choose: Finished Opening

